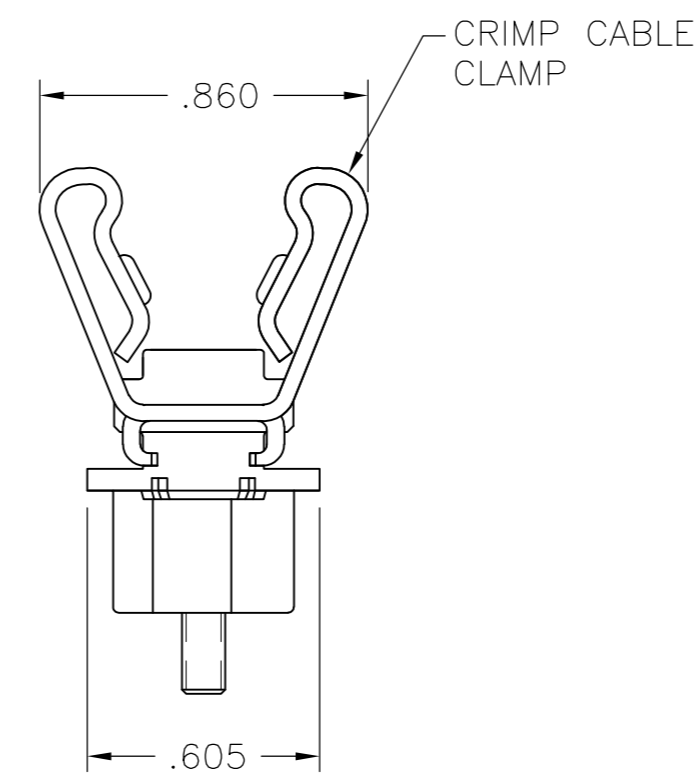
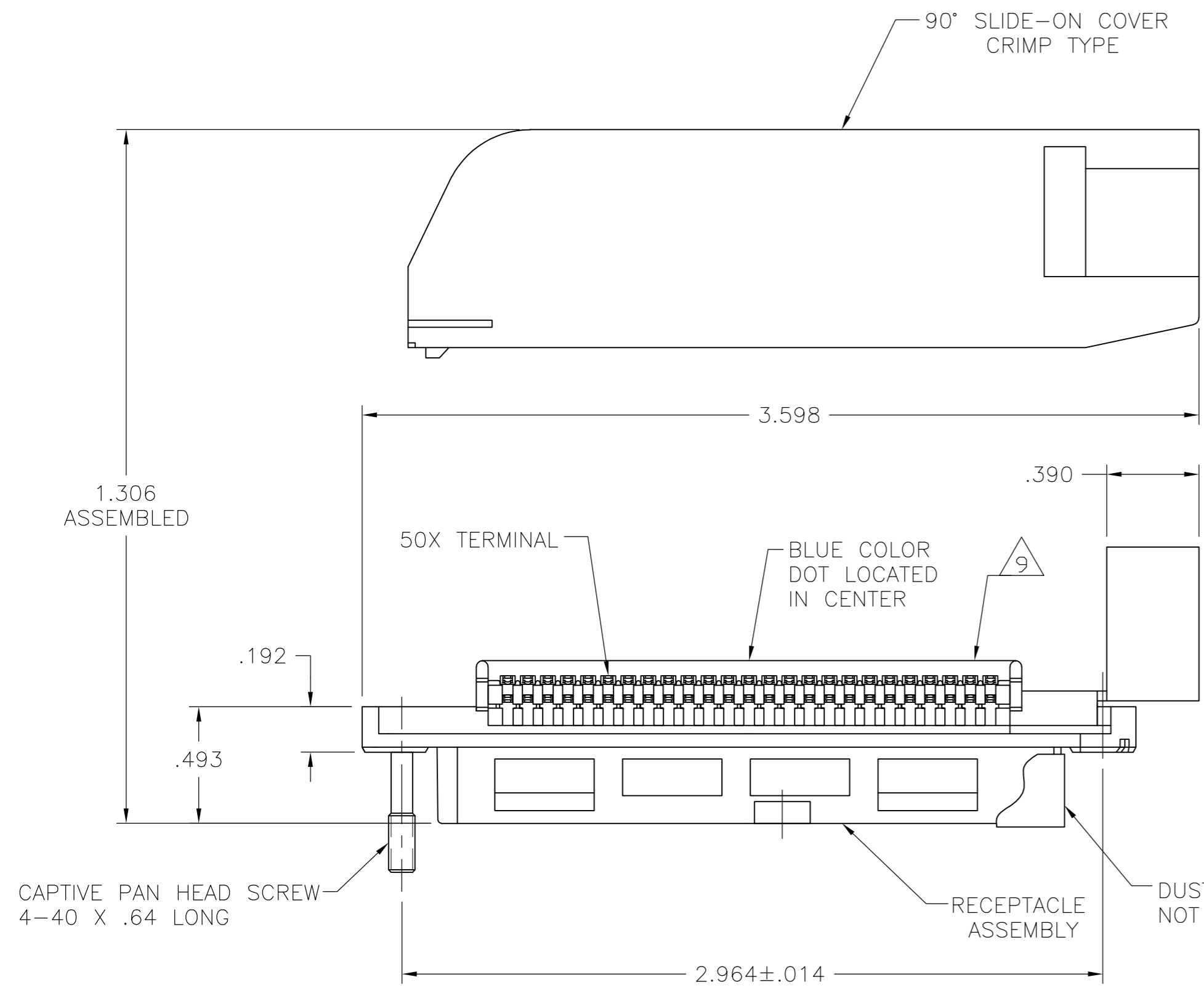
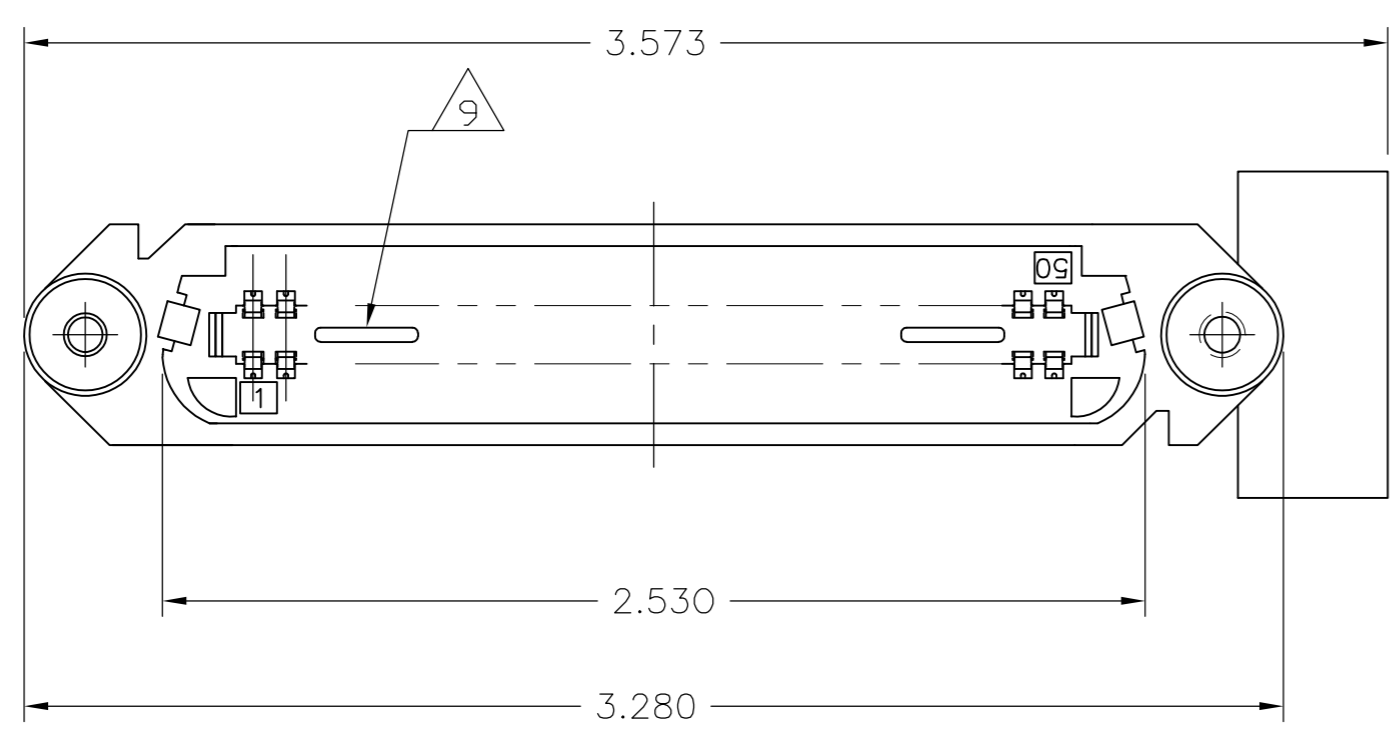


THIS DRAWING IS UNPUBLISHED. RELEASED FOR PUBLICATION  
 © COPYRIGHT BY TYCO ELECTRONICS CORPORATION. ALL RIGHTS RESERVED.

LOC	DIST	REVISIONS			
P	LTR	DESCRIPTION	DATE	DWN	APVD
GP	00				
	C	REVISED PER ECO-08-007327	02OCT08	BM	WM



1. THE CONTACT SURFACES OF THE TERMINALS ARE COATED WITH LUBRICANT.
- 2 MATERIAL: HOUSING & SLIDE-ON COVER: POLYPHENYLENE. CABLE CLAMP & SCREW: ZINC PLATED STEEL. TERMINAL - HIGH STRENGTH COPPER ALLOY PLATED WITH EITHER .000030 MIN GOLD OR GOLD FLASH OVER PALLADIUM NICKEL PLATE, .000030 MIN TOTAL ON MATING SURFACE, .000050 MIN NICKEL UNDERPLATE OVER ENTIRE TERMINAL. DUST COVER: POLYETHYLENE.
3. WIRE SIZE: 24 & 26 AWG SOLID OR 24 AWG 7 STRANDS OF COPPER CONDUCTORS. MAX INSULATION DIAMETER OF .045 IS ACCEPTABLE FOR MOST APPLICATIONS.
4. CENTER-TO-CENTER SPACING OF TERMINALS IS .085 NOMINAL.
5. CABLE CLAMP & SCREW ARE ASSEMBLED TO CONNECTOR BEFORE SHIPMENT.
- 6 ALL DIMENSIONS ARE MAXIMUM UNLESS OTHERWISE SPECIFIED.
7. COVER SHIPPED UNASSEMBLED WITH CABLE CLAMP UNCRIMPED.
8. KIT SHIPPED BULK PACKAGED.
- 9 CORING MAY OR MAY NOT APPEAR AND IS AT THE DISCRETION OF AMP INCORPORATED.



THIS DRAWING IS A CONTROLLED DOCUMENT.		DWN B. MCMASTER 06JAN06	Tyco Electronics Corporation Harrisburg, PA 17105-3608	
DIMENSIONS: INCHES		CHK W. MILLHIMES 06JAN06	NAME RECEPTACLE ASSEMBLY, 50 POSITION, B SLOT, CRIMP TYPE, SCREW & 90 DEGREE COVER, CHAMP-LOK	
TOLERANCES UNLESS OTHERWISE SPECIFIED:		APVD W. MILLHIMES 06JAN06	SIZE A2	CAGE CODE 00779
0 PLC ± -		PRODUCT SPEC	DRAWING NO C=5553212	RESTRICTED TO
1 PLC ± -		APPLICATION SPEC	SCALE 2:1	SHEET 1 of 1
2 PLC ± -		WEIGHT	REV C	
3 PLC ± -		CUSTOMER DRAWING		
4 PLC ± -				
ANGLES ± -				
FINISH				

5553212